



WL32

Articulated Wheel Loaders



The powerful little guy: WL32

Thanks to its narrow machine width, the wheel loader WL32 provides first-class work results, above all in confined spaces. Its low passage height also makes it the ideal supplier of material in structural works or buildings. It is therefore very powerful on the go with up to 100 liters of hydraulic performance and is ideal for the use of additional attachments.

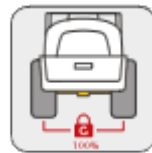
- Compact dimensions with a passage height of less than 2.5 meters
- Powerful hydraulic performance with up to 100 liters
- Low turning radius
- Hydrostatic all-wheel drive and articulated pendulum steering
- Large selection of attachments

Wheel loader expertise down to the last detail.



Maneuverable into the smallest angles

Due to the articulated pendulum joint, the machines are extremely maneuverable and always have good traction, even in uneven ground conditions.



100 percent connectable differential lock

Good traction, even on difficult substrate, allows you up to a 100% connectable differential lock.



Numerous connections for attachments

Use the wheel loaders from Wacker Neuson as you need them – the matching hydraulic connections make it possible.



Comfortable cabin design

The cabins of our wheel loaders offer plenty of comfort due to their spacious design and outfitting details.



Technical specifications

WL32

	Operator's canopy	Cabin*
Engine / Motor		
Engine / Motor manufacturer	Perkins	Perkins
Engine / Motor type	404 D-22	404 D-22
Cylinder	4	4
Engine performance kW	36.3	36.3
at rpm Maximum rpm	2,800	2,800
Displacement cm ³	2,216	2,216
Coolant type	Water	Water
Electrical system		
Operating voltage V	12	12
Battery Ah	95	95
Alternator A	85	85
Weights		
Operating weight kg	3,400	3,400
Tipping load with bucket - machine straight kg	2,032	2,269
Tipping load with bucket - machine at angle kg	1,692	1,898
Tipping load with pallet fork - machine straight kg	1,731	1,908
Tipping load with pallet fork - machine at angle kg	1,459	1,605
Vehicle data		
Bucket capacity Standard bucket m ³	0.45	0.45
Traction drive	Hydrostatic via universal joint shaft	Hydrostatic via universal joint shaft
Axles	PA940	PA940
Drivers cab	FSD (cabin)	Cabin
Speed (optional) km/h	0-20 (28)	0-20 (28)
Speed Level	2	2
Standard tires	31 x 15.5-15 EM ET-37	31 x 15.5-15 EM ET-37
Hydraulic system		
Driving hydraulics - operating pressure bar	450	450
Operating hydraulics - operating pressure bar	210	210
Operating hydraulics - discharge capacity l/min	56	56
Operating hydraulics - discharge capacity (optional up to) l/min	100	100



	Operator's canopy	Cabin*
Filling capacities		
Fuel tank capacity l	65	65
Hydraulic oil tank l	35	35
Sound level		
Guaranteed sound power level L _{WA} dB(A)	101	101
Specified sound pressure level L _{pA} dB(A)	82	82

Standard bucket = digging bucket, 1,400 mm width

FSD = Operator's canopy

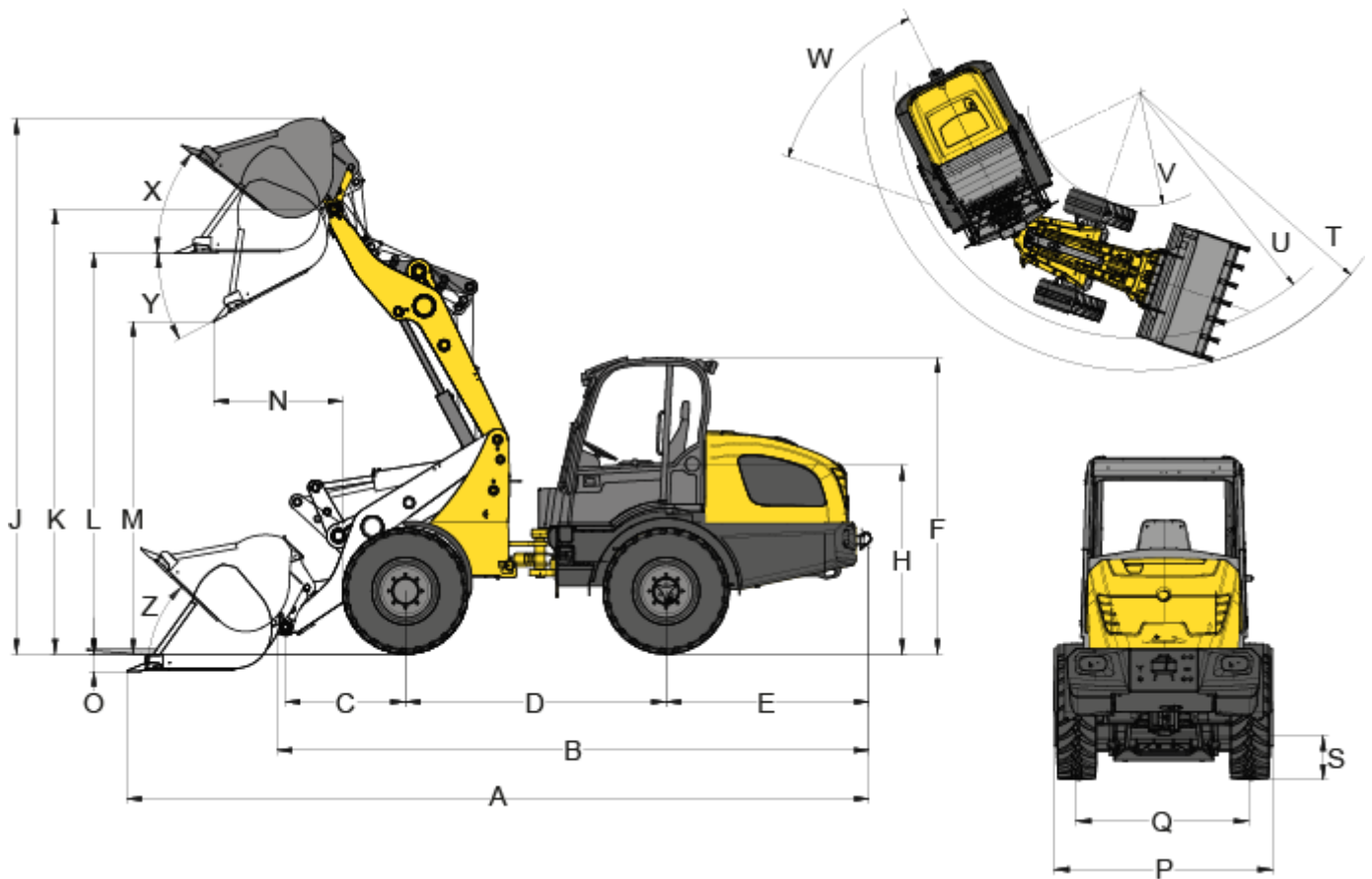
Tipping load calculation according to ISO 14397-EN474-3

* Equipping version (cabin)



**WACKER
NEUSON**
all it takes!

Dimensions



	Standard tires	31x15.50-15 EM ET-37
A	Overall length	4,755 mm
B	Overall length without bucket	4,022 mm
C	Bucket pivot point to axle center	675 mm
D	Wheelbase	1,952 mm
E	Rear overhang	1,290 mm
F	Height With operator's canopy	2,351 mm
F	Height With cabin	2,351 mm
H	Seat height	1,354 mm
J	Total operating height	3,715 mm



K	Stroke height max. - bucket pivot point	3,208 mm
L	Overhead loading height	2,954 mm
M	Dump height max.	2,425 mm
N	Range with M	252 mm
O	Scraping depth	50 mm
P	Overall width	1,414 mm
Q	Track width	1,014 mm
S	Ground clearance	275 mm
T	Radius maximum	3,534 mm
U	Radius at outer edge	3,171 mm
V	Inside turning radius	1,731 mm
W	Articulation angle	45 °
X	Bucket rollback at max. stroke height	56 °
Y	Dump angle Maximum	37 °
Z	Bucket rollback at ground level	46 °

All values with standard bucket: Digging bucket 1,400 mm, 0.45 m³ and standard tires: 31x15.50-15 EM ET-37

Please note

that product availability can vary from country to country. It is possible that information / products may not be available in your country. More detailed information on engine power can be found in the operator's manual; the stated power may vary due to specific operating conditions.

Subject to alterations and errors excepted. Applicable also to illustrations.

Copyright © 2017 Wacker Neuson SE.